

# D SERIES TANDEM FILTER CART

## Two Filter Carts In One!

When you need multiple filter carts but, don't have the budget or the space, look no further than the D Series Tandem cart. This cart is two filter carts in one which allows you to filter two different oil types using a single cart - saving time and money. Extremely mobile, this filter cart has all the power needed for filtering oil viscosities up to 600cSt (ISO VG 680) at 100°F within ambient temperature ranges of -15°F to 150°F.

## Typical Applications:

- Filtering contaminated systems
- Flushing new or repaired systems
- Pre-filtering new oil
- Transferring oils
- Topping off reservoirs
- Collecting oil samples for analysis
- Dispensing new oil



# ForFluids.com

# D SERIES TANDEM FILTER CART

Don't see the options you need?  
Contact For Fluids at 1(630) 922-5020  
for more information.

## Performance:

For filtering mineral and synthetic based oils (hydraulic oils, gear oils and turbine oils) with a maximum operating viscosity range of ISO VG 680 (3000ssu/648cSt) at 100°F within ambient temperature ranges of -15°F to 150°F.

## Standard Features:

<b>Frame:</b>	Carbon steel w/ drip pan; flat free tires
<b>Paint:</b>	Multiple color options available
<b>Motor:</b>	1HP, 115vac, 60Hz or Pneumatic
<b>Filter Heads:</b>	Medium pressure, cast aluminum heads
<b>Pump:</b>	Heavy duty, cast steel gear pump. Available in 1, 2, 5 and 10 GPM
<b>Connections:</b>	Various quick connect options available
<b>Hoses:</b>	7ft. Clear PVC, steel reinforced hose or hydraulic hose
<b>Power Switch:</b>	Sealed on/off power switch
<b>Cord Reel:</b>	40ft. retractable electric cord reel
<b>Filter Indicators:</b>	Slide bar indicators trigger at 50psid when elements need to be changed
<b>Pump Relief:</b>	Opens at 150psi
<b>Weight:</b>	Approx. 200lbs (will vary depending on options)
<b>Dimensions:</b>	Approx. 23"L x 22"W x 52"H

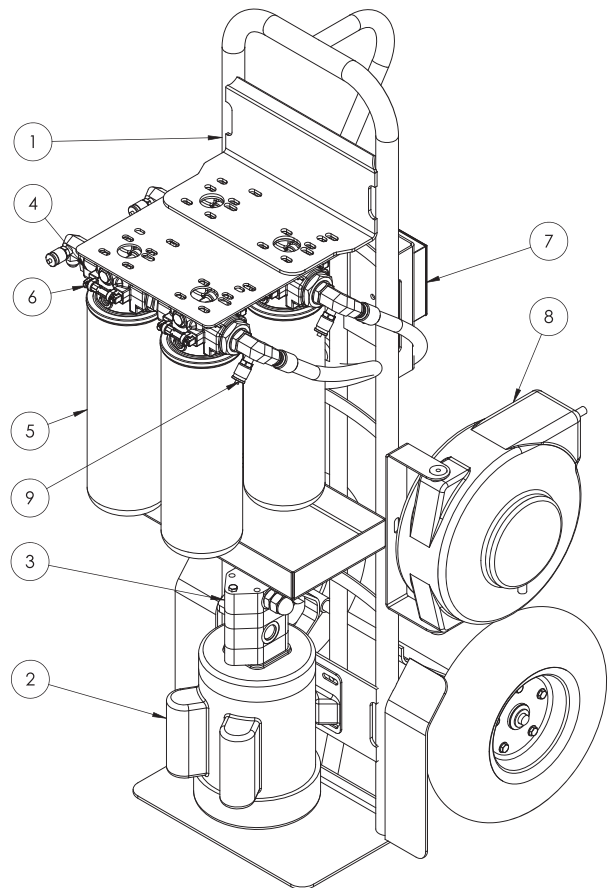
## Replacement Elements:

Part Number	BETA Rating	Desired Cleanliness Level (ISO Code)
P1066	$\beta_{4(c)}=2000$	14/12/9 - 13/11/8
P1065	$\beta_{7(c)}=2000$	18/16/13 - 15/13/10
P1063	$\beta_{10(c)}=1000$	19/17/14 - 18/16/13
P1064	$\beta_{25(c)}=2000$	20/18/15 - 19/17/14
P1048WR	Water Removal	

All D Series elements measure 5" x 14".

## Components:

Item Number	Description	Qty.
1	Frame	1
2	Motor	1
3	Pump	1
4	Filter Head	4
5	Filter Element	4
6	Filter Indicator	4
7	Switch On/Off	1
8	Cord Reel	1
9	Filter Selector Valve	1



# ForFluids.com

5365 Walnut Ave Downers Grove, IL 60515 | 630-922-5020 | ForFluids.com