

D SERIES PLATFORM CART

Designed to Accommodate Various Tanks!

Getting oil from bulk or drum storage and out into the plant is made convenient and easy with the D Series Platform Cart. Designed to accommodate various tank configurations, the platform cart can be used to deliver multiple oil types to their final destination. An optional oil rack and toolbox makes storage of essential equipment and tools easy to transport. The platform cart has all the power needed for filtering oil viscosities up to 600cSt (ISO VG 680) at 100°F within ambient temperature ranges of -15°F to 150°F.



Typical Applications:

- Pre-filtering new oil
- Transferring oils
- Topping off reservoirs or containers
- Dispensing new oil
- Waste oil extraction

ForFluids.com

D SERIES PLATFORM CART

Don't see the options you need?
Contact For Fluids at 1(630) 922-5020
for more information.

Performance:

For filtering mineral and synthetic based oils (hydraulic oils, gear oils and turbine oils). This powerhouse has the ability to filter oil viscosities up to 600cSt (ISO VG 680) at 100°F within ambient temperature ranges of -15°F to 150°F.

Standard Features:

Frame:	Carbon steel platform frame with drip pan and utility tray
Paint:	Multiple color options available
Tanks:	32, 71, 115 gallon poly tanks available
Motor:	1HP, 115vac, 60Hz or Pneumatic
Filter Heads:	Medium pressure, cast aluminum heads
Pump:	Heavy duty, cast steel gear pump. Available in 1, 2, 5 and 10 GPM
Connections:	Various quick connect options available
Hoses:	7ft. Clear PVC, steel reinforced hose or hydraulic hose
Power Switch:	Sealed on/off power switch
Cord Reel:	40ft. retractable electric cord reel
Filter Indicators:	Slide bar indicators trigger at 50psid when elements need to be changed
Pump Relief:	Opens at 150psi
Weight:	Approx. 250lbs (will vary depending on options)
Dimensions:	Approx. 55" L x 24" W x 52" H

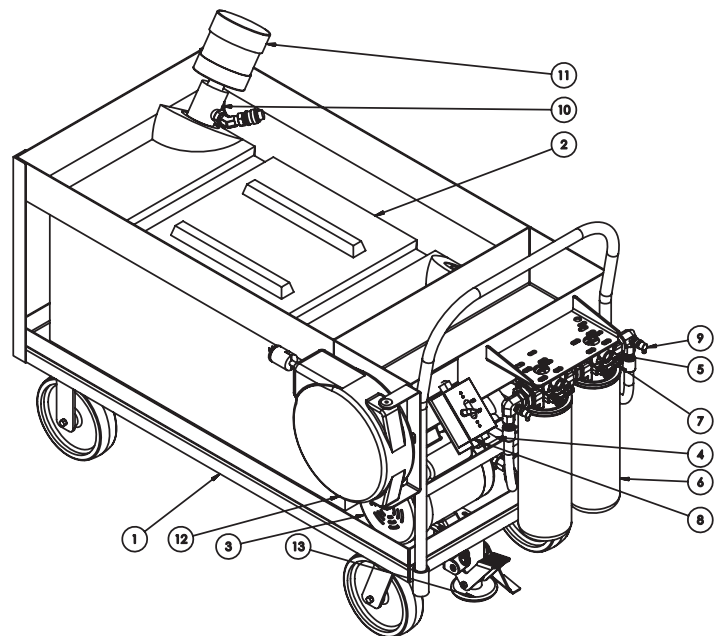
Replacement Elements:

Part Number	BETA Rating	Desired Cleanliness Level (ISO Code)
P1066	β4(c)=2000	14/12/9 - 13/11/8
P1065	β7(c)=2000	18/16/13 - 15/13/10
P1063	β10(c)=1000	19/17/14 - 18/16/13
P1064	β25(c)=2000	20/18/15 - 19/17/14
P1048WR	Water Removal	

All D Series elements measure 5" x 14".

Components:

Item Number	Description	Qty.
1	Heavy Duty Cart	1
2	Tank	1
3	Motor	1
4	Pump	1
5	Filter Head	2
6	Filter Element	2
7	Filter Indicator	2
8	Switch On/Off	1
9	Sample Port	2
10	Breather Adapter	1
11	Breather	1
12	Cord Reel	1
13	Parking Brake	1



ForFluids.com

5365 Walnut Ave Downers Grove, IL 60515 | 630-922-5020 | ForFluids.com